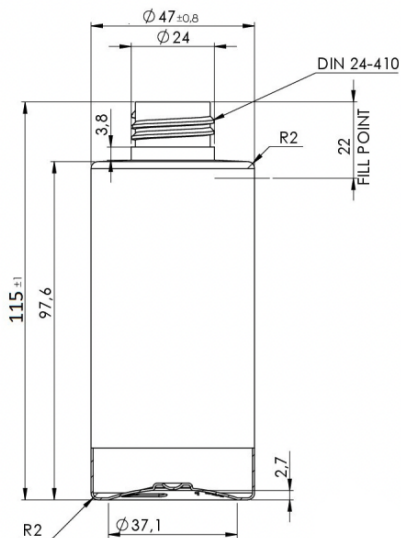


Cylinder 150



Food contact statement

We hereby confirm that this product complies with the requirements of the European legislation (EU) no 10/2011 and all its amendments for plastics used in contact with food

General info

Item no. (SKU):	LS1102118110
Family / Range:	Cylinder
Capacity:	150ml
Neck:	24/410
Weight:	20
Shape:	Round
Material:	PET
Colour:	All Colours Available
Print Areas:	N/A
Country of Origin:	Lithuania

Packaging Info

Packed in Boxes

Box Dimensions (mm):	594 x 394 x 448
Quantity per box (pcs):	300
Boxes per pallet (pcs):	20
Quantity per pallet (pcs):	6000
Net weight (kg):	120
Gross weight (kg):	142
Pallet height (mm):	2400

Packed in PE bags on trays (Full pallet)

Tray dimensions (mm):	1200 x 800 x 50
Quantity per tray (pcs):	459
Quantity per PE bag (pcs):	216
PE bags per tray (pcs):	2
Trays per pallet (pcs):	19
Quantity per pallet (pcs):	8721
Net weight (kg):	174
Gross weight (kg):	190
Pallet height (mm):	2400

Storage

Please be aware that these products are handled and stored correctly in order to ensure the safety and quality of our products. When storing this product, please avoid excessive force and storage above 40 degrees Celsius (86 degrees Fahrenheit)